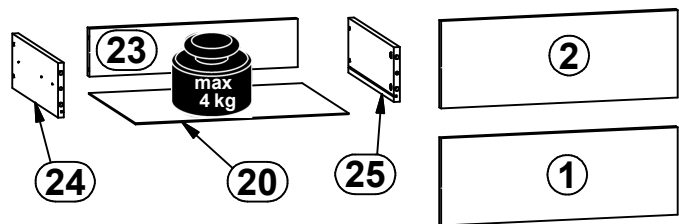
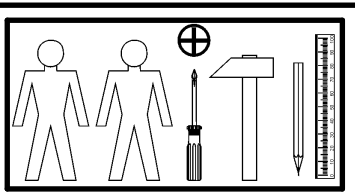
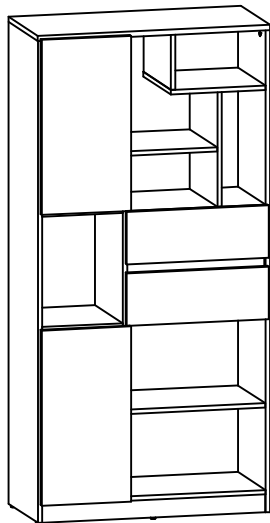
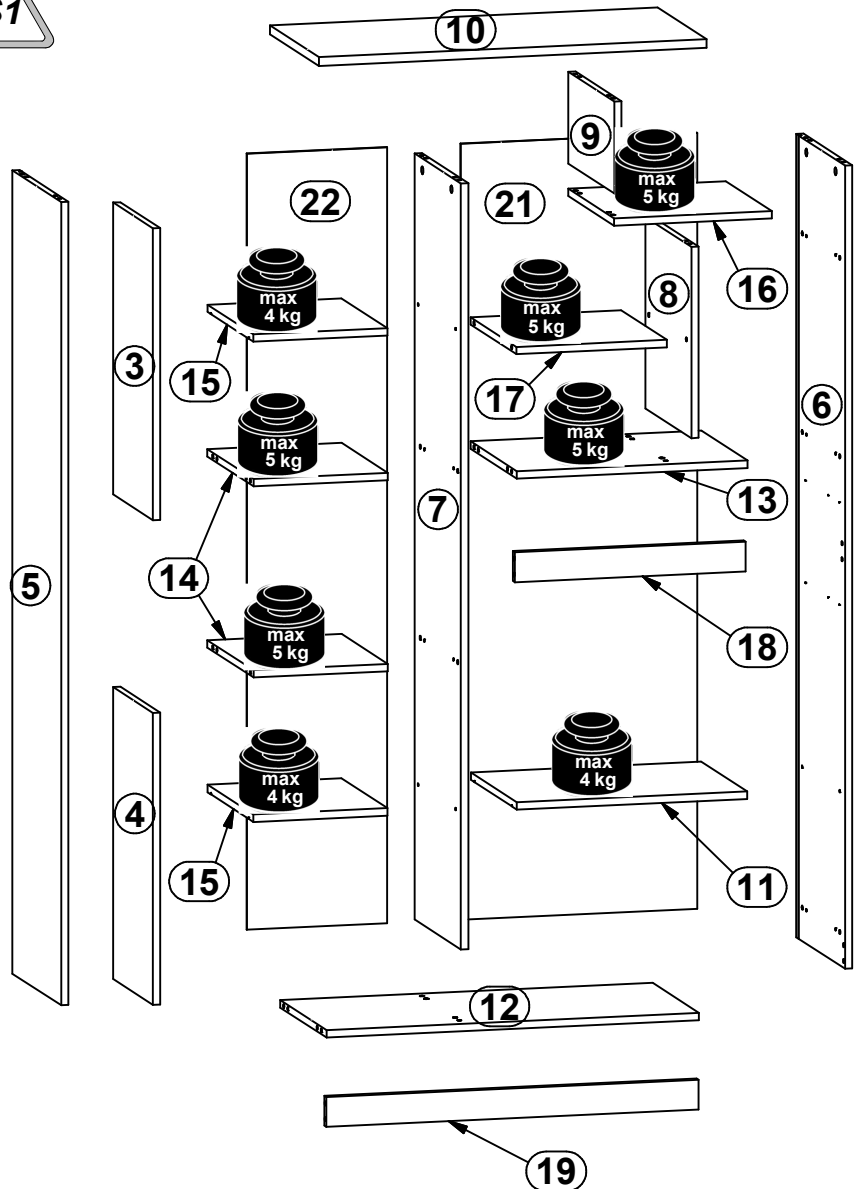
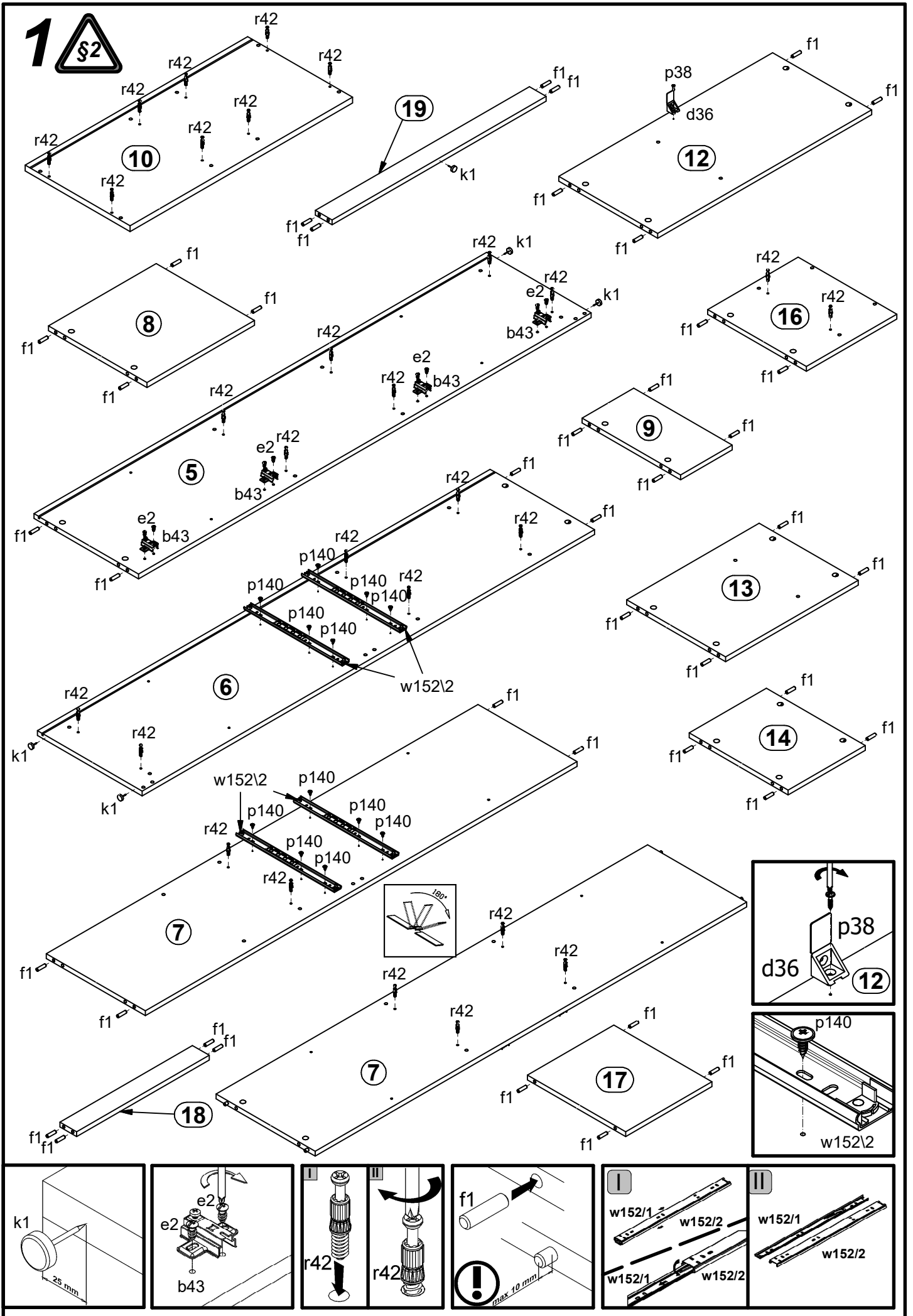


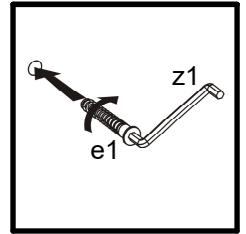
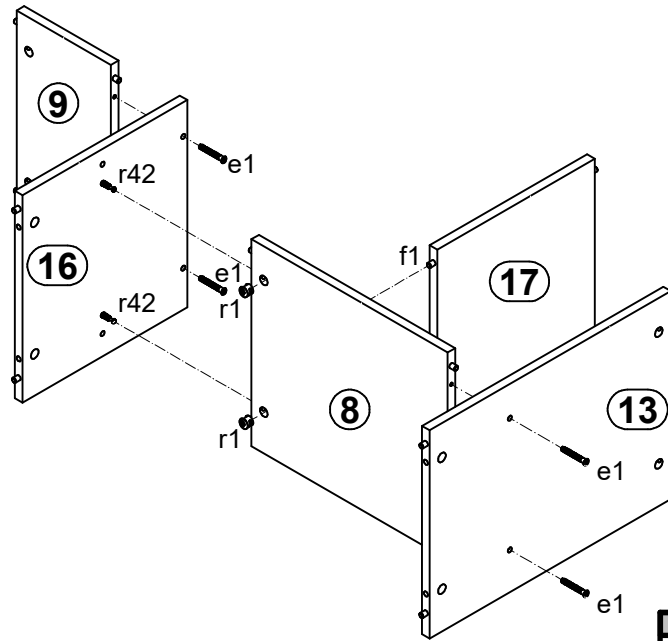
A	B	C	D	
1	S441-0001	486	176	3/3
2	S441-0007	486	176	3/3
3	S441-0008	588	306	3/3
4	S441-0011	588	306	3/3
5	S441-1008	1618	374	2/3
6	S441-1009	1618	374	2/3
7	S441-1010	1543	354	2/3
8	S441-1011	385	352	1/3
9	S441-1012	185	352	1/3
10	S441-2004	796	375	1/3
11	S441-3002	473	352	1/3
12	S441-3005	765	354	1/3
13	S441-3006	474	354	1/3
14	S441-3007	276	354	1/3
15	S441-3008	275	352	1/3
16	S441-3009	324	353	1/3
17	S441-3010	309	351	1/3
18	S441-4003	474	60	2/3
19	S441-4011	765	60	2/3
20	S441-9001	438	357	1/3
21	S441-9005	1563	486	2/3
22	S441-9006	1563	288	2/3
23	ZK3-5013	428	97	2/3
24	ZK3-519	350	110	2/3
25	ZK3-520	350	110	2/3



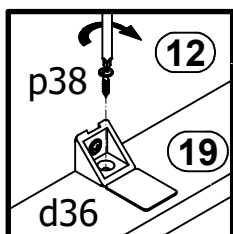
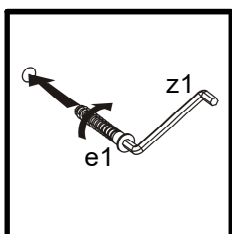
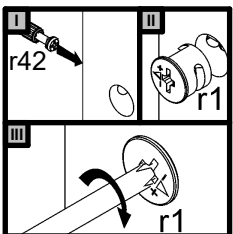
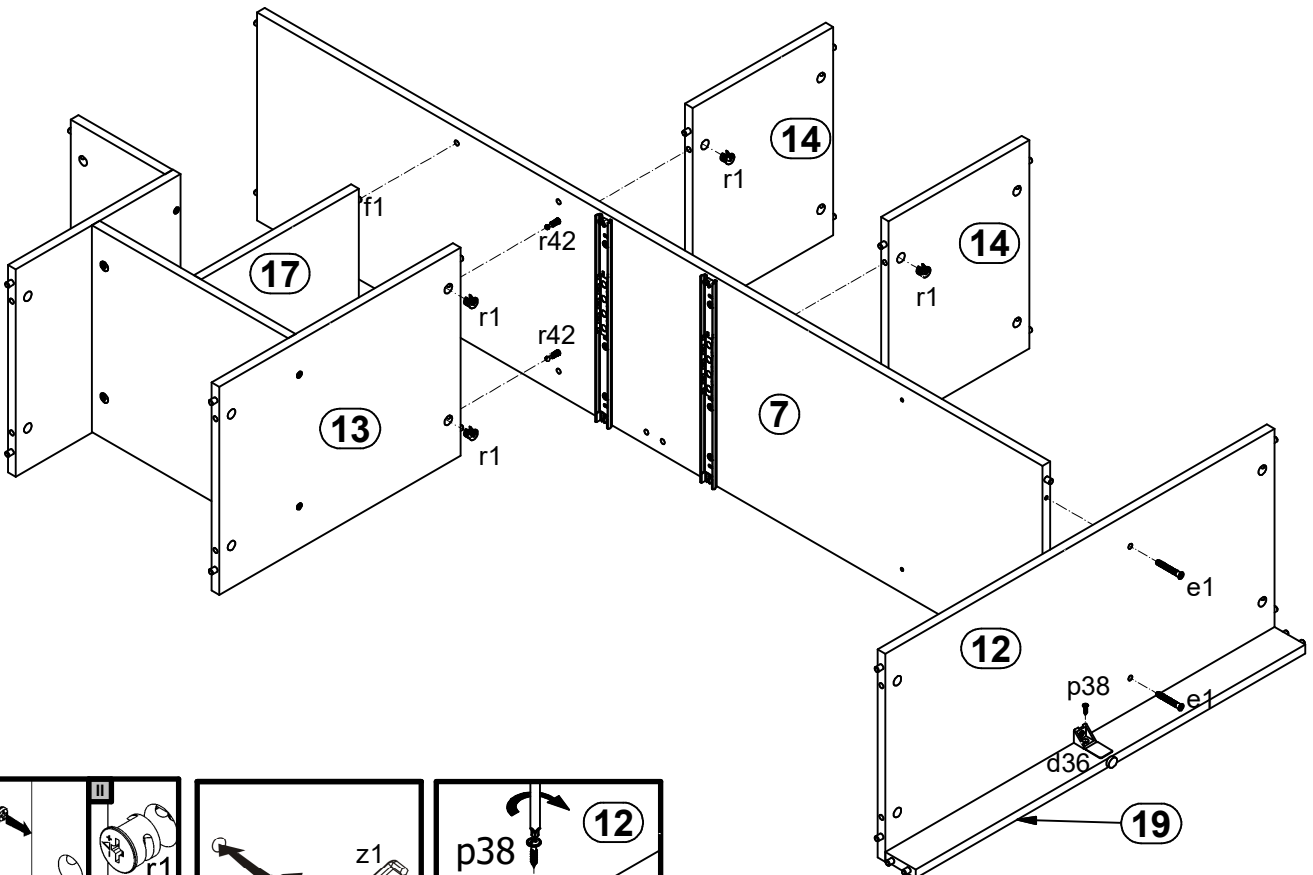
2x a133	4x a159	4x b43	12x d1 Ø5x17 mm	1x d36	6x e1 Ø7x50 mm	8x e2 Ø6,3x13 mm	46x f1 Ø8x30 mm	8x f25 Ø6,5x40 mm
4x f9 Ø6x30 mm	5x k1	15x l1 1,4x20 mm	10x i2	7x n108 22x9,5x210,7 mm	24x p140 Ø3,5x12 mm	8x p38 Ø3,5x16 mm	8x p51 Ø3,5x15 mm	7x p55 Ø2,9x16 mm
28x r1 Ø15x12 mm #16	8x r15 Ø12x10,5 mm #12	36x r42 20/11	4x w152 1 350/580 mm	4x w152 2 350/580 mm	2x s59 Ø14x0,5 mm	16x s68 Ø 20mm	1x z1 4 mm	
							1x n26	1x p38 Ø3,5x16 mm



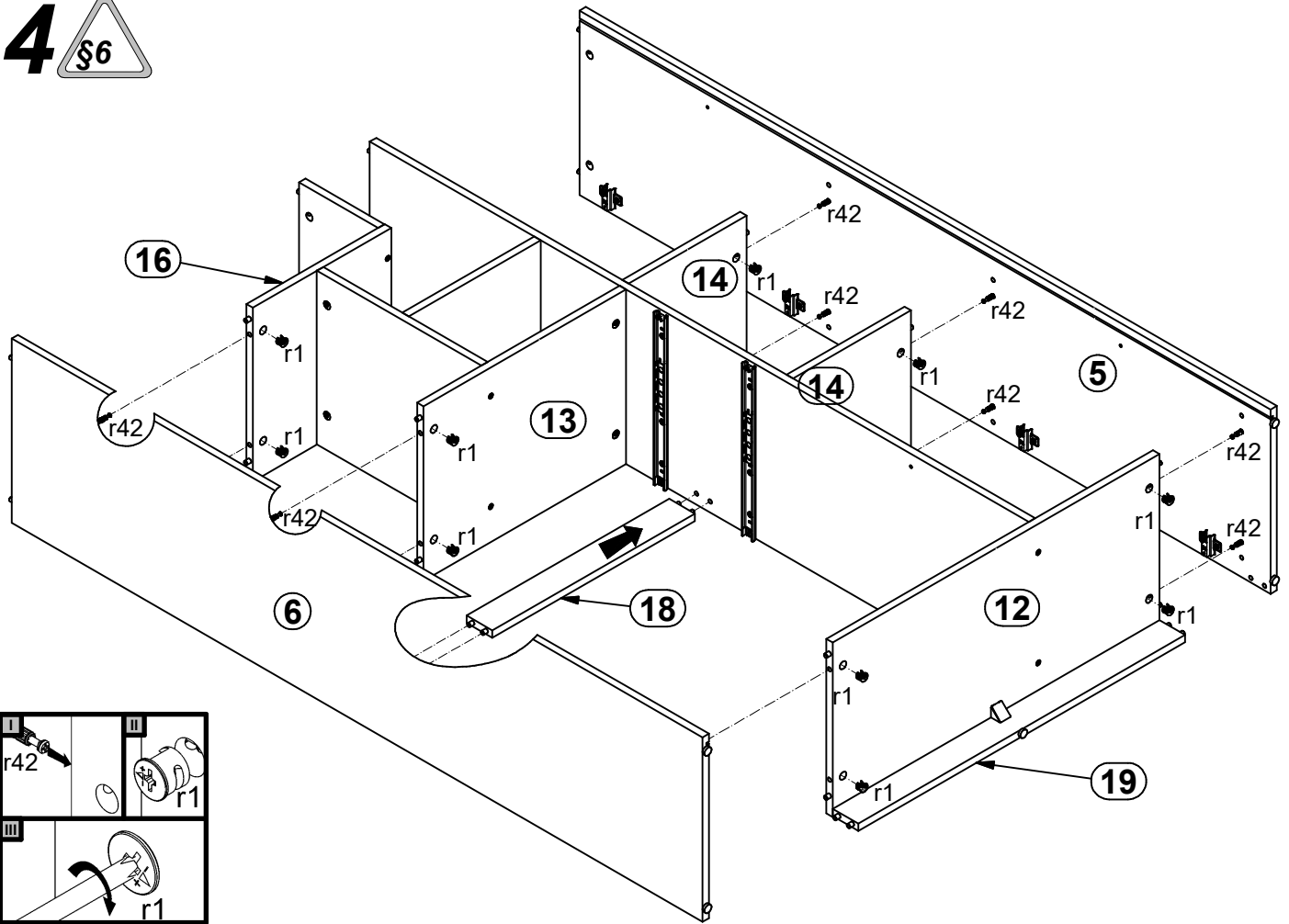
2



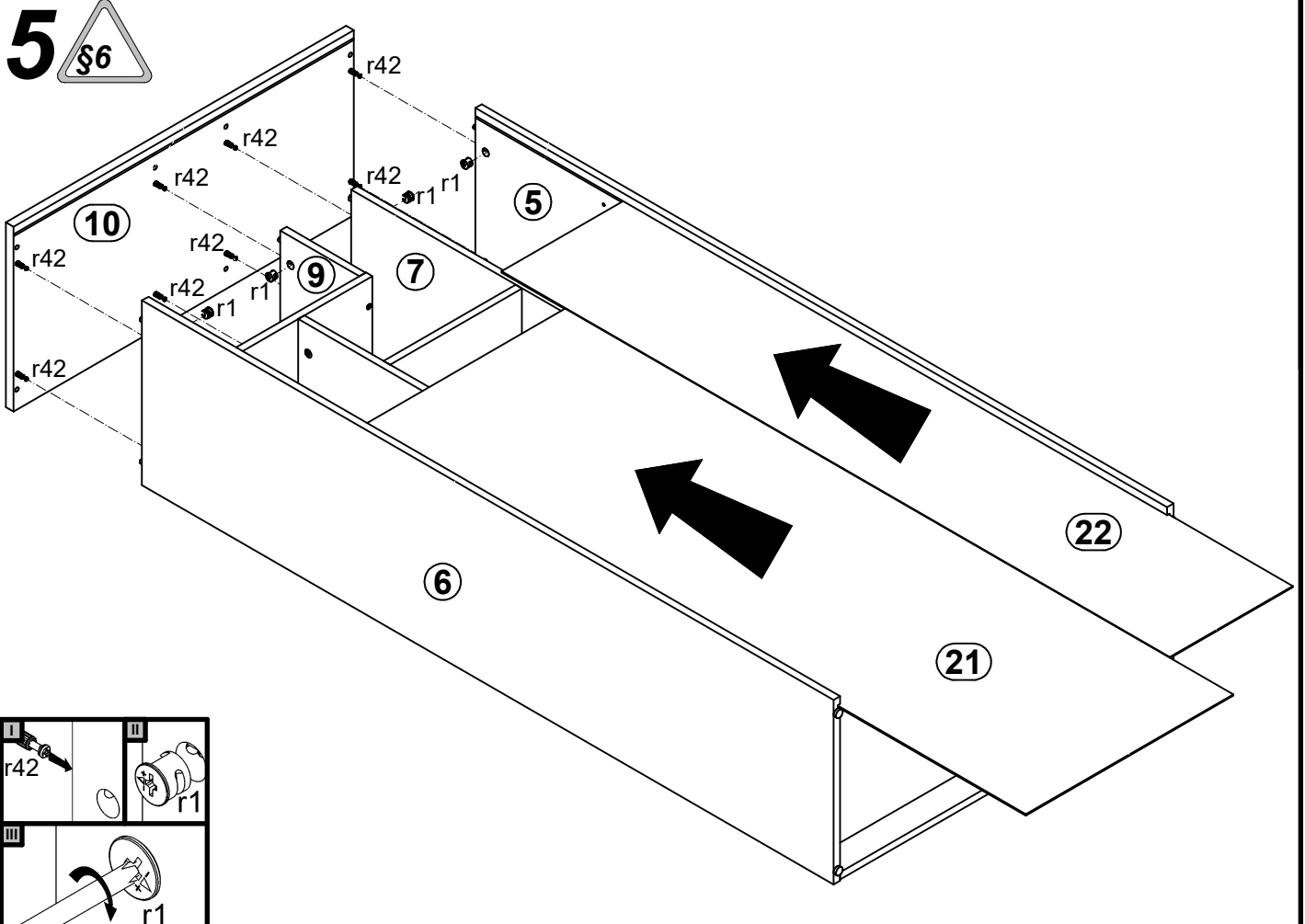
3



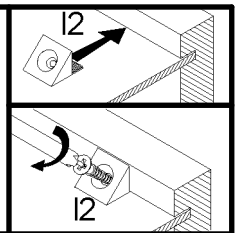
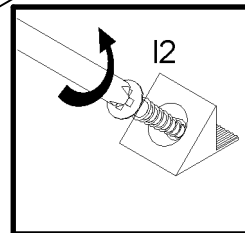
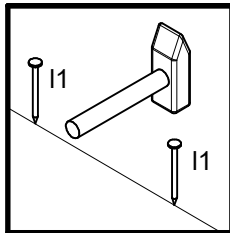
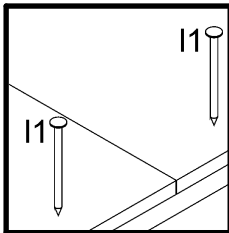
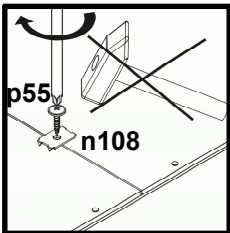
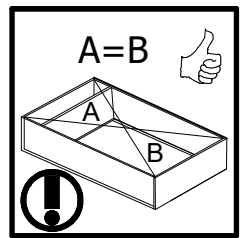
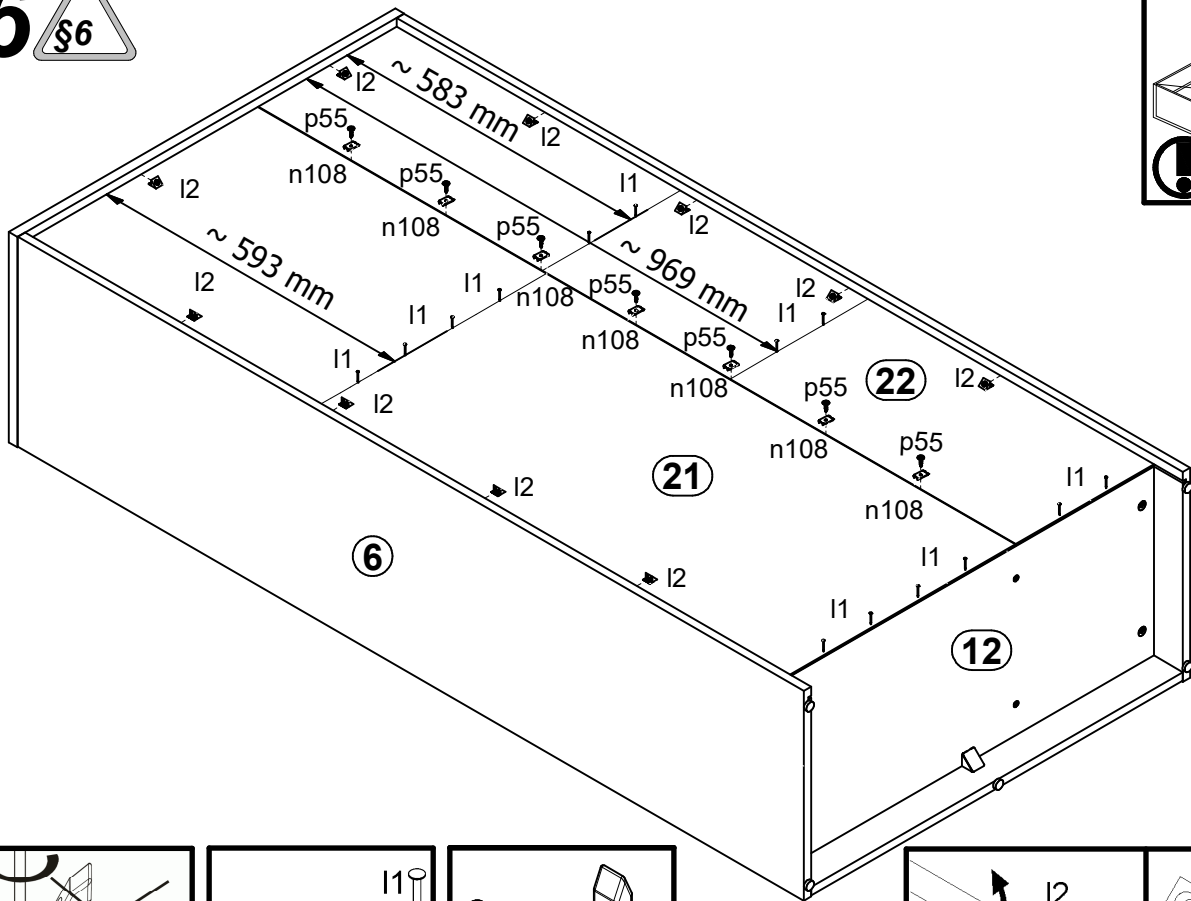
4



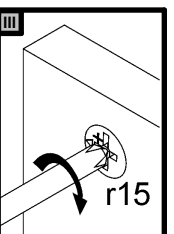
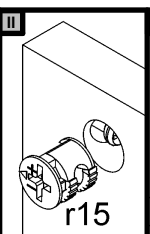
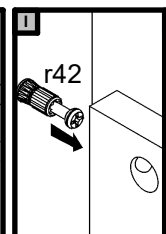
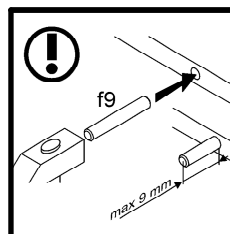
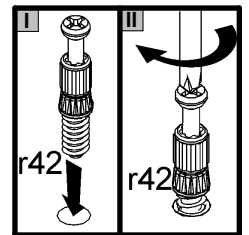
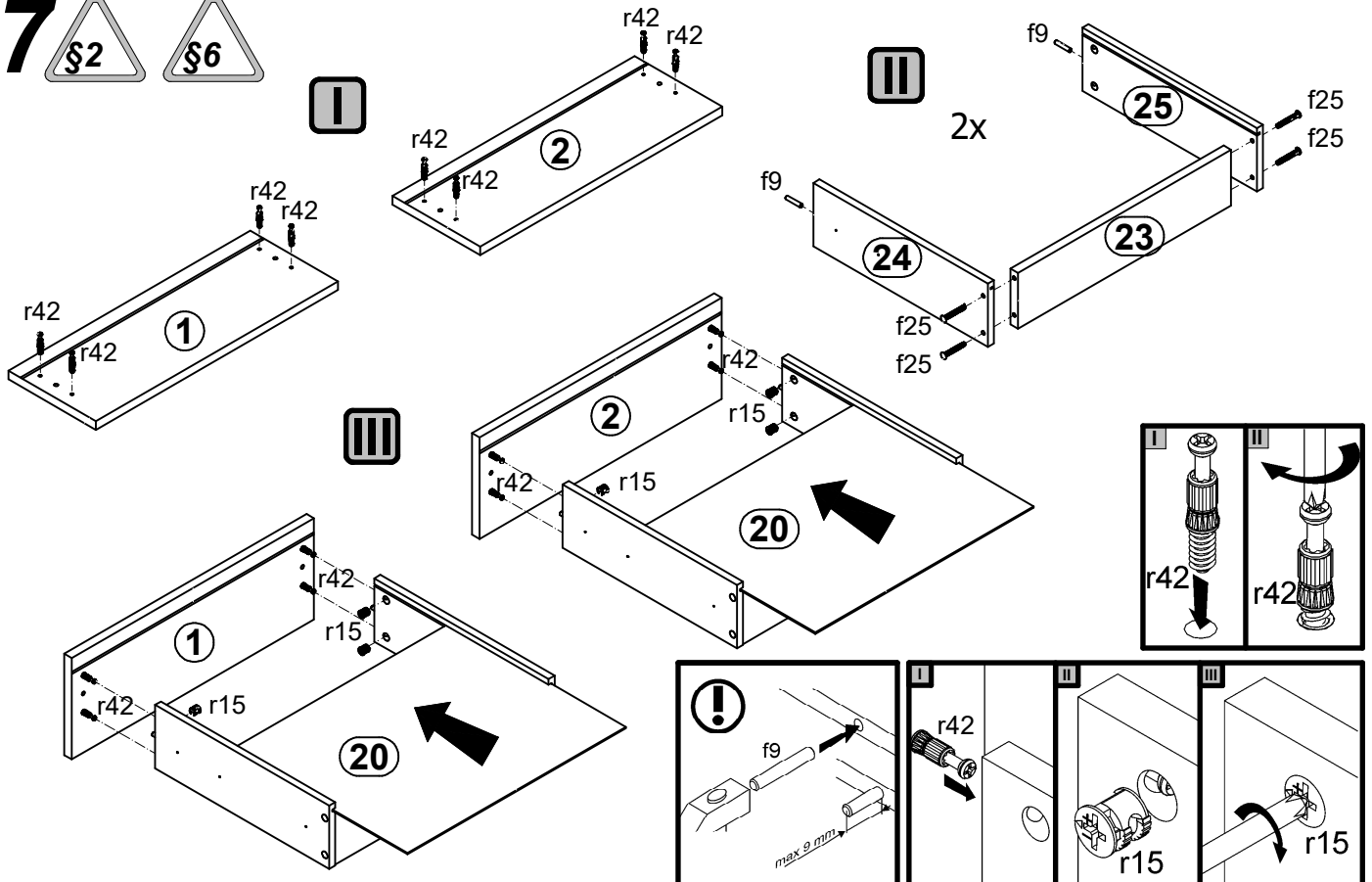
5



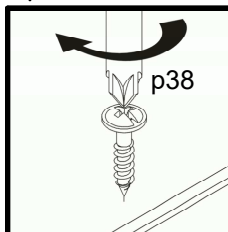
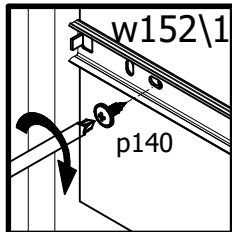
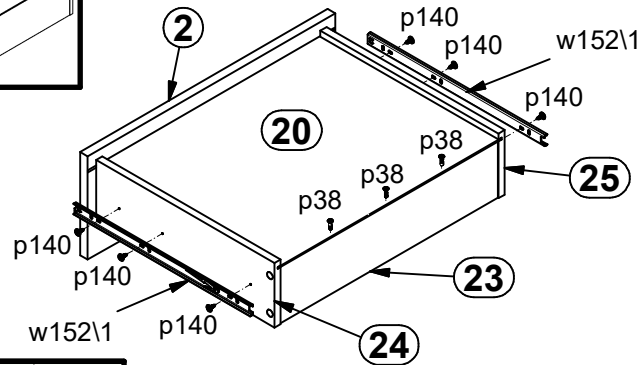
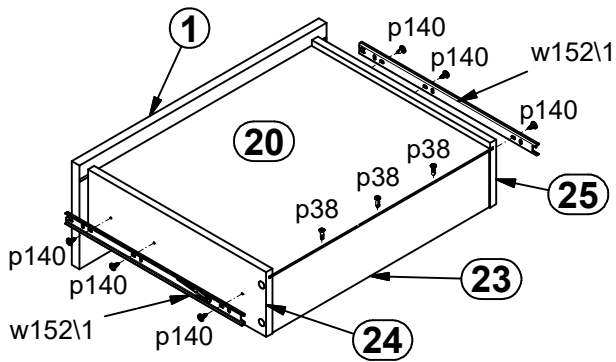
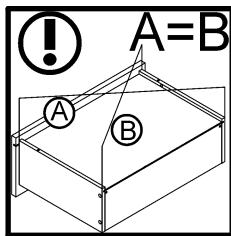
6



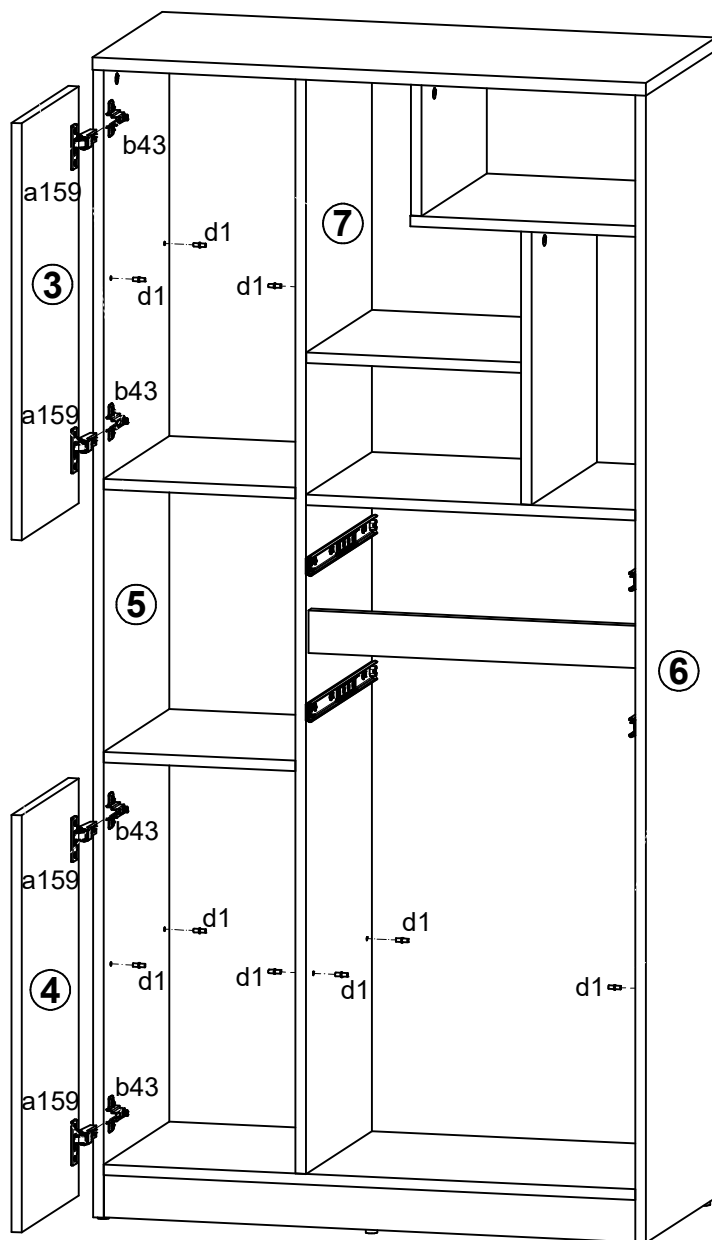
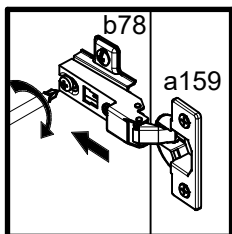
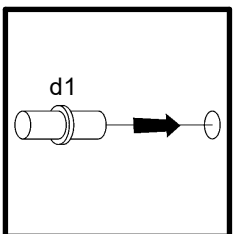
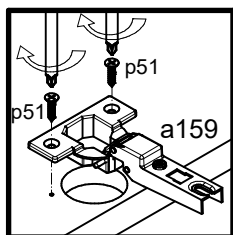
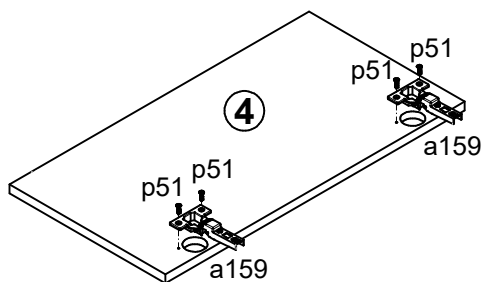
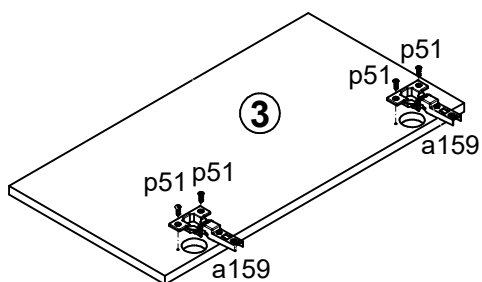
7



8 §6



9 §2 §6



10

