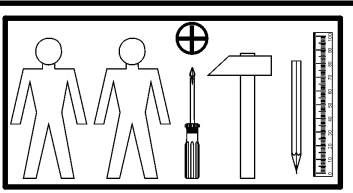
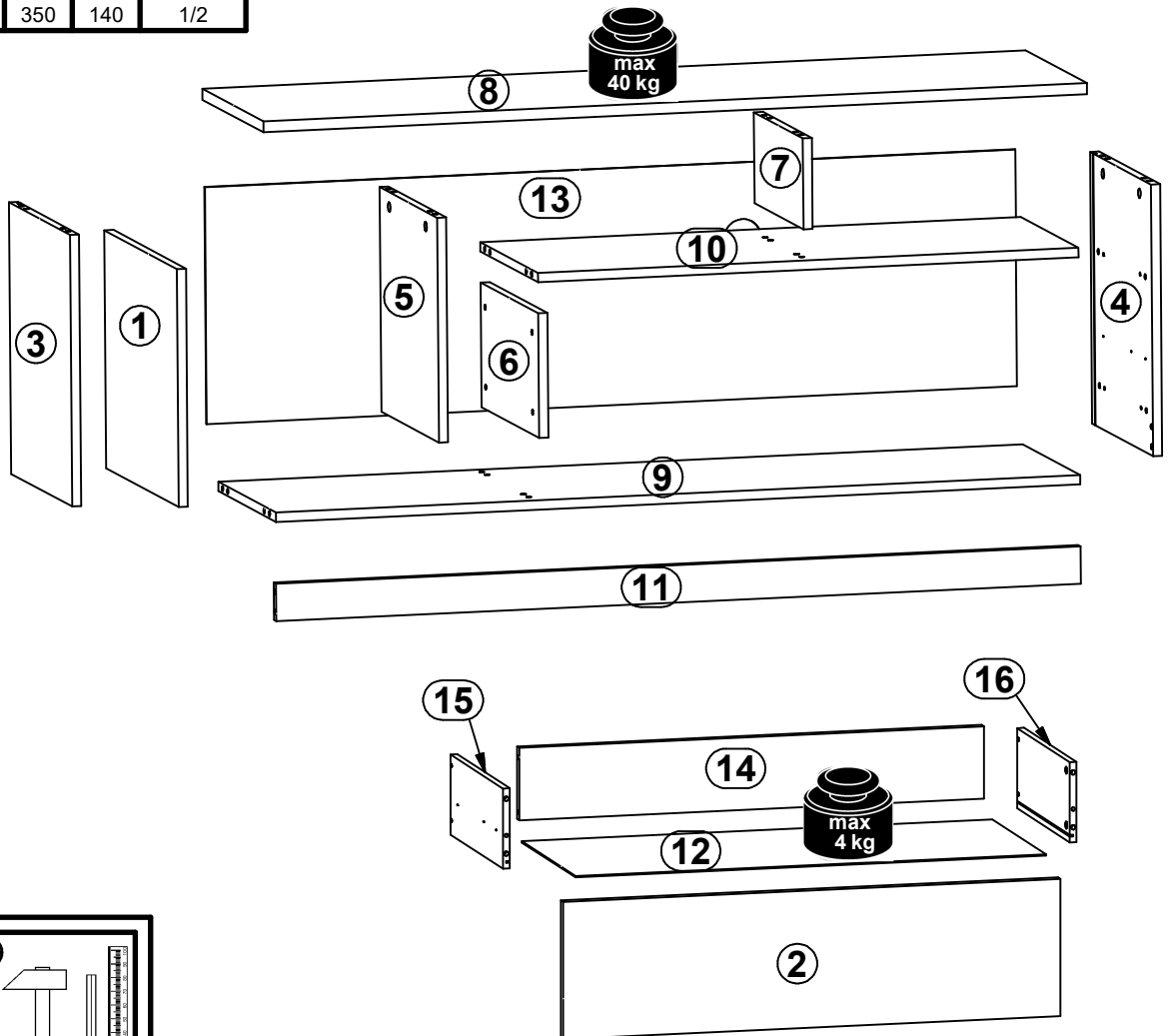
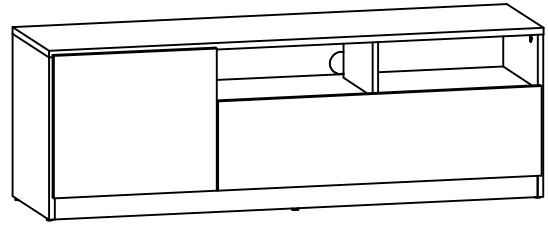
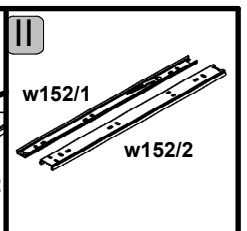
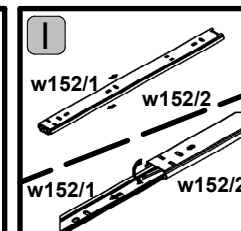
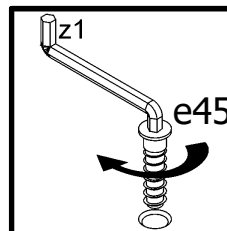
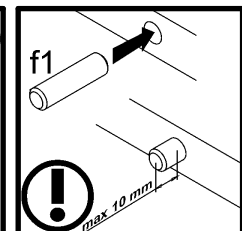
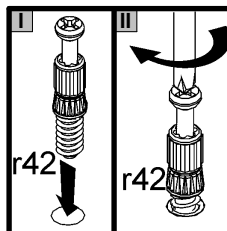
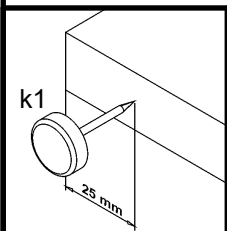
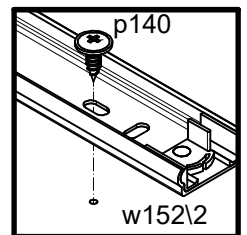
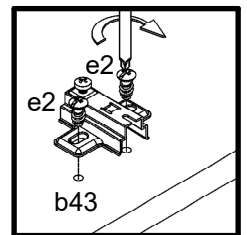
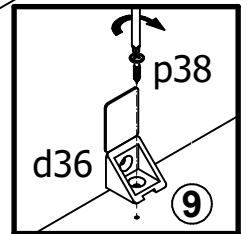
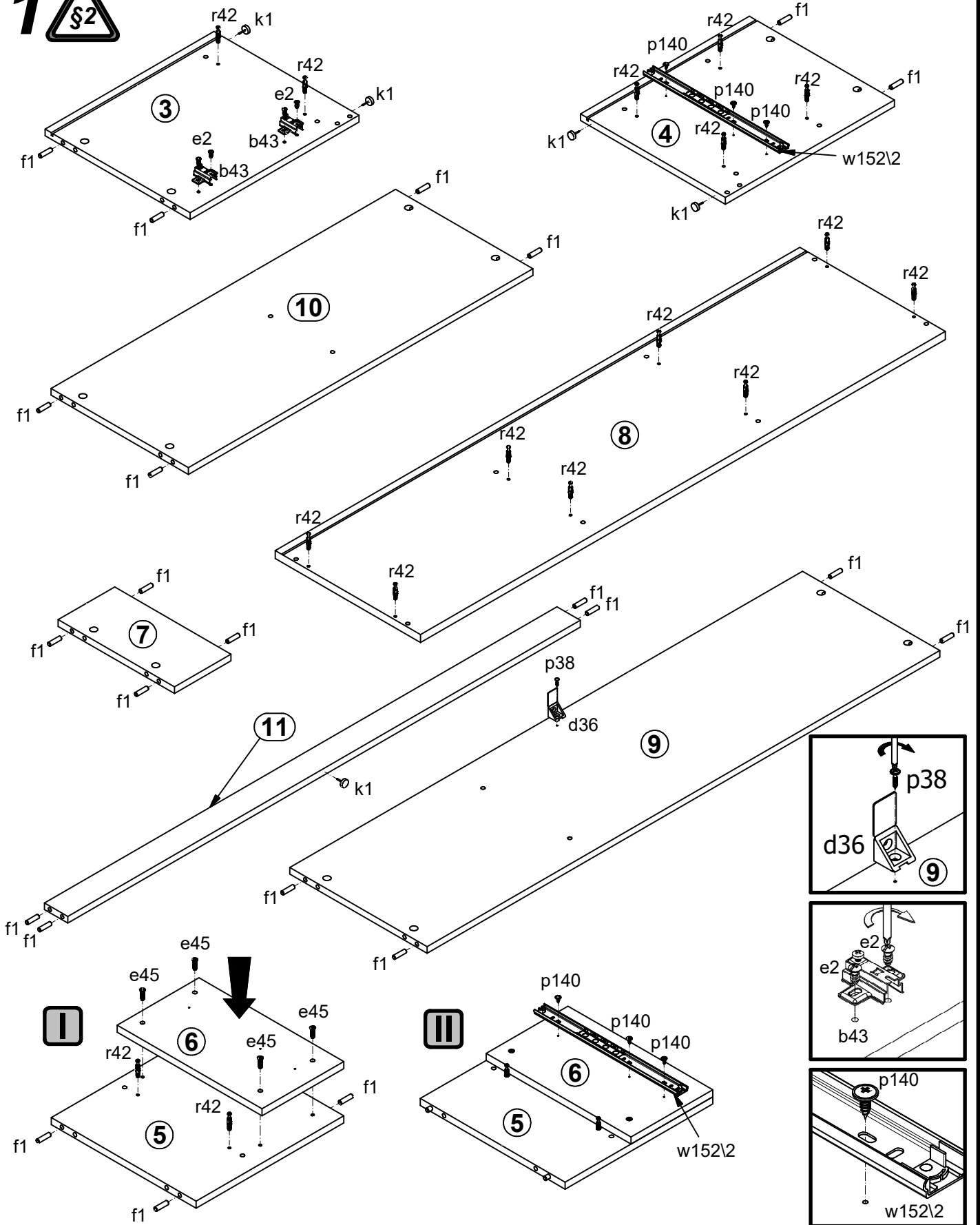


A	B	C	D	
1	S441-0002	382	446	2/2
2	S441-0013	886	240	2/2
3	S441-1022	436	374	1/2
4	S441-1023	436	374	1/2
5	S441-1024	361	354	1/2
6	S441-1025	200	354	1/2
7	S441-1026	146	300	1/2
8	S441-2008	1354	375	1/2
9	S441-3014	1323	354	1/2
10	S441-3015	889	354	1/2
11	S441-4016	1323	60	1/2
12	S441-9003	838	357	1/2
13	S441-9009	1333	380	1/2
14	ZK3-5015	828	127	1/2
15	ZK3-511	350	140	1/2
16	ZK3-512	350	140	1/2

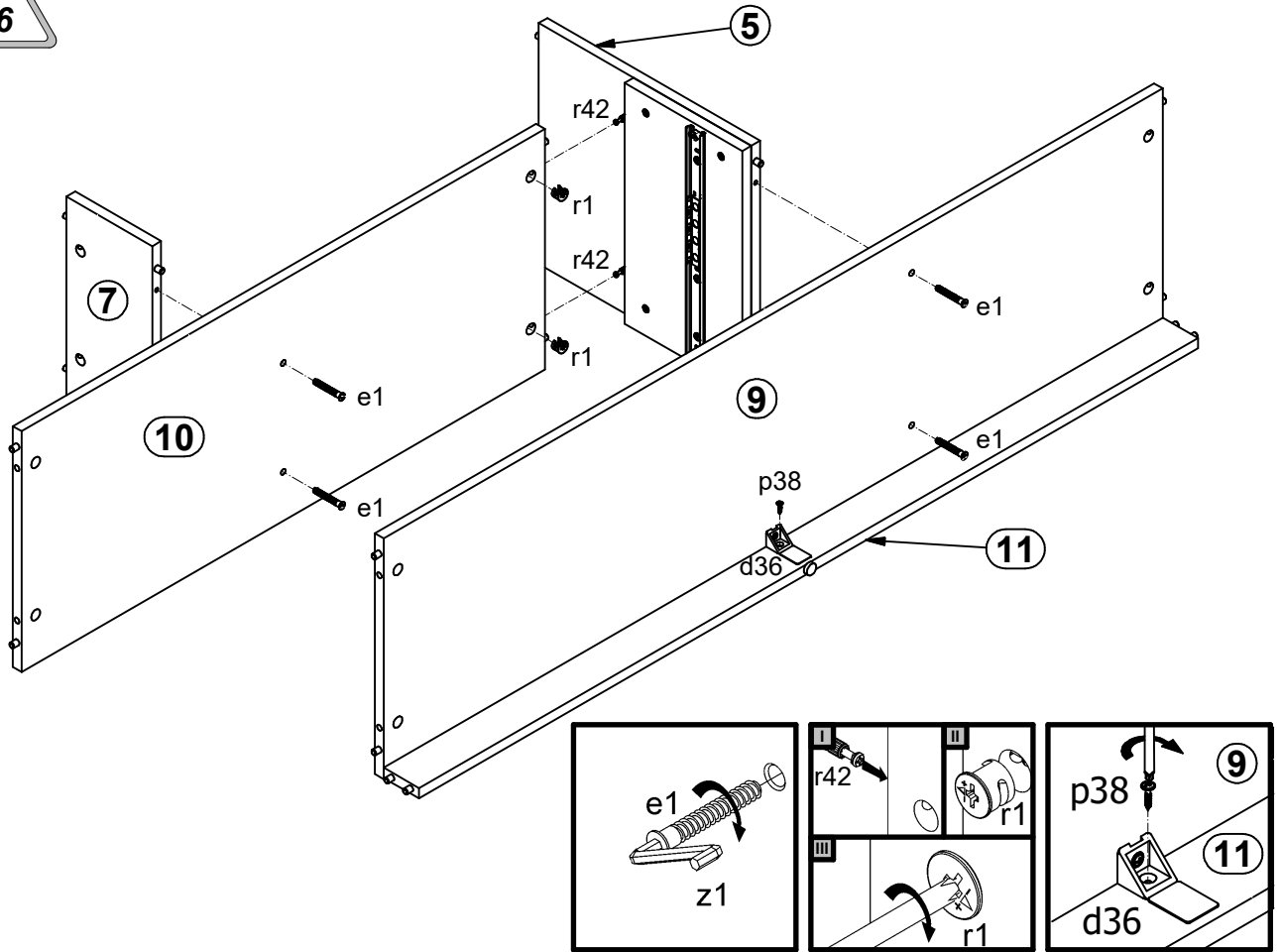


1x a133	2x a159	2x b43	1x d36	4x Ø7x50 mm e1	4x Ø6,3x13 mm e2	4x Ø7x24 mm e45	24x Ø8x30 mm f1	4x Ø6,5x40 mm f25
2x Ø6x30 mm f9	5x k1	25x 1,4x20 mm l1	5x l2	12x Ø3,5x12 mm p140	1x Ø3,5x16 mm p25	1x Ø3,5x10 mm p35	8x Ø3,5x16 mm p38	4x Ø3,5x15 mm p51
16x Ø15x12 mm #16 r1	4x Ø12x10,5 mm #12 r15	20x 20/11 r42	1x 350 mm t35	2x 350/580 mm w152\1	2x 350/580 mm w152\2	8x Ø 20mm s68	1x 4 mm z1	
							1x n26	1x Ø3,5x16 mm p38

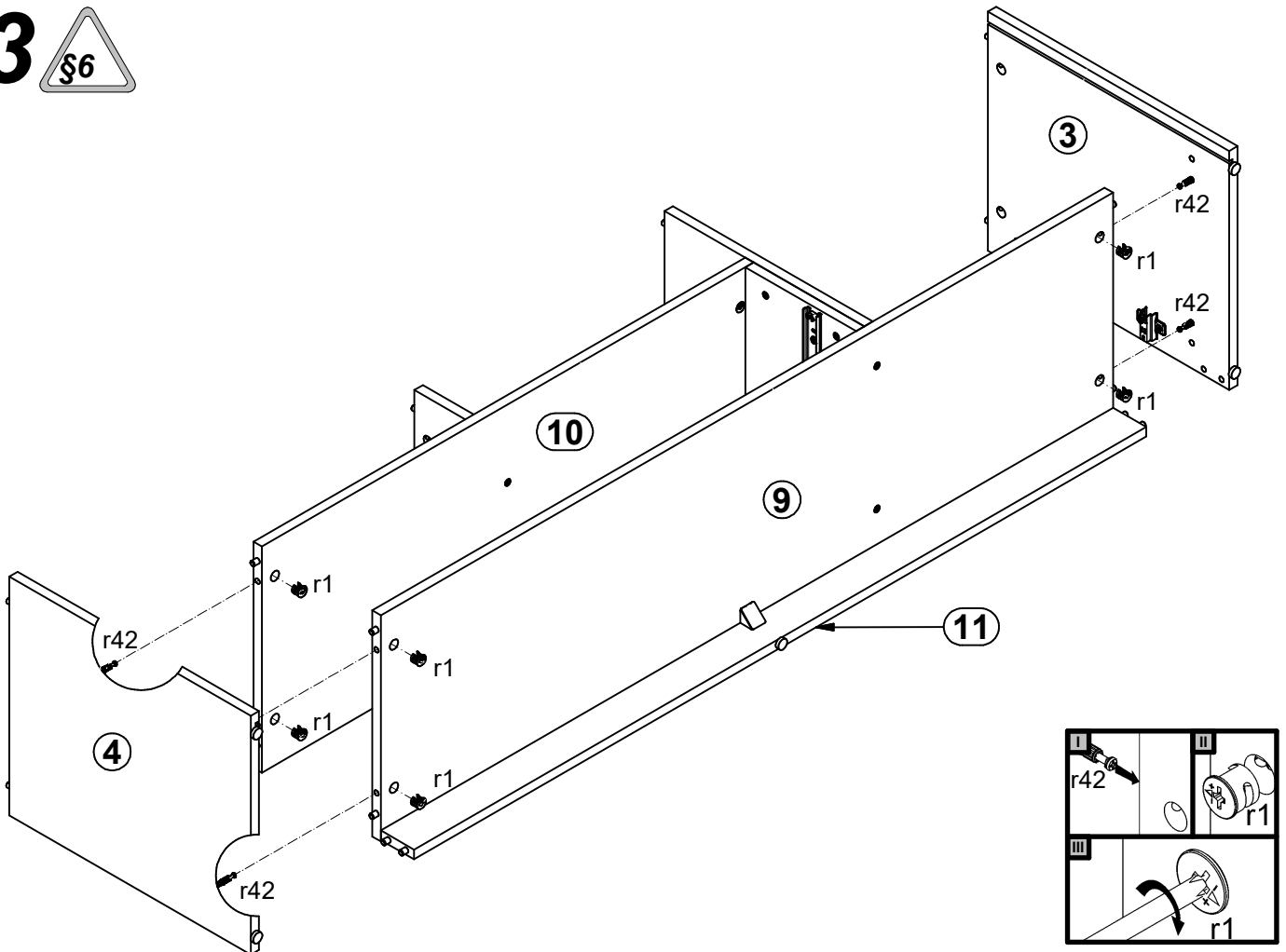
1 



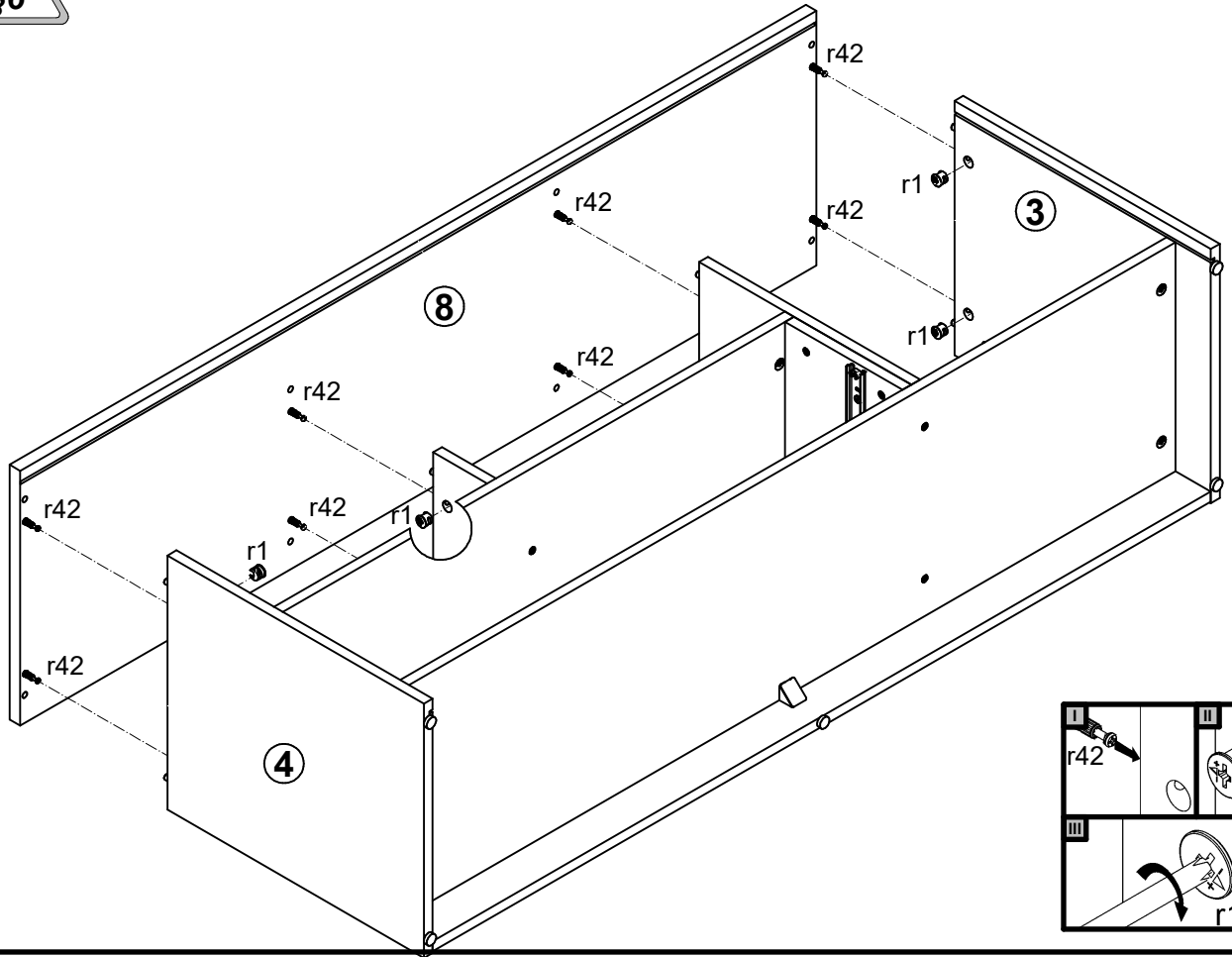
2 §6



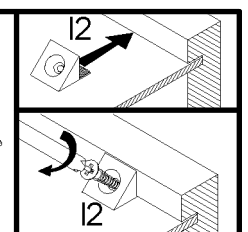
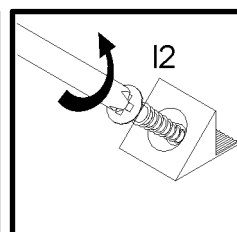
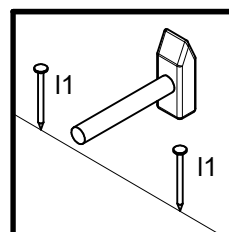
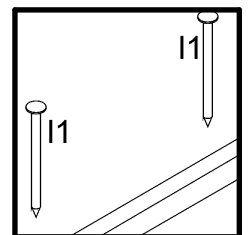
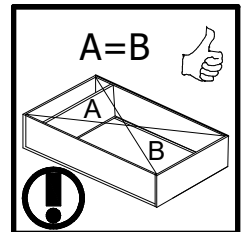
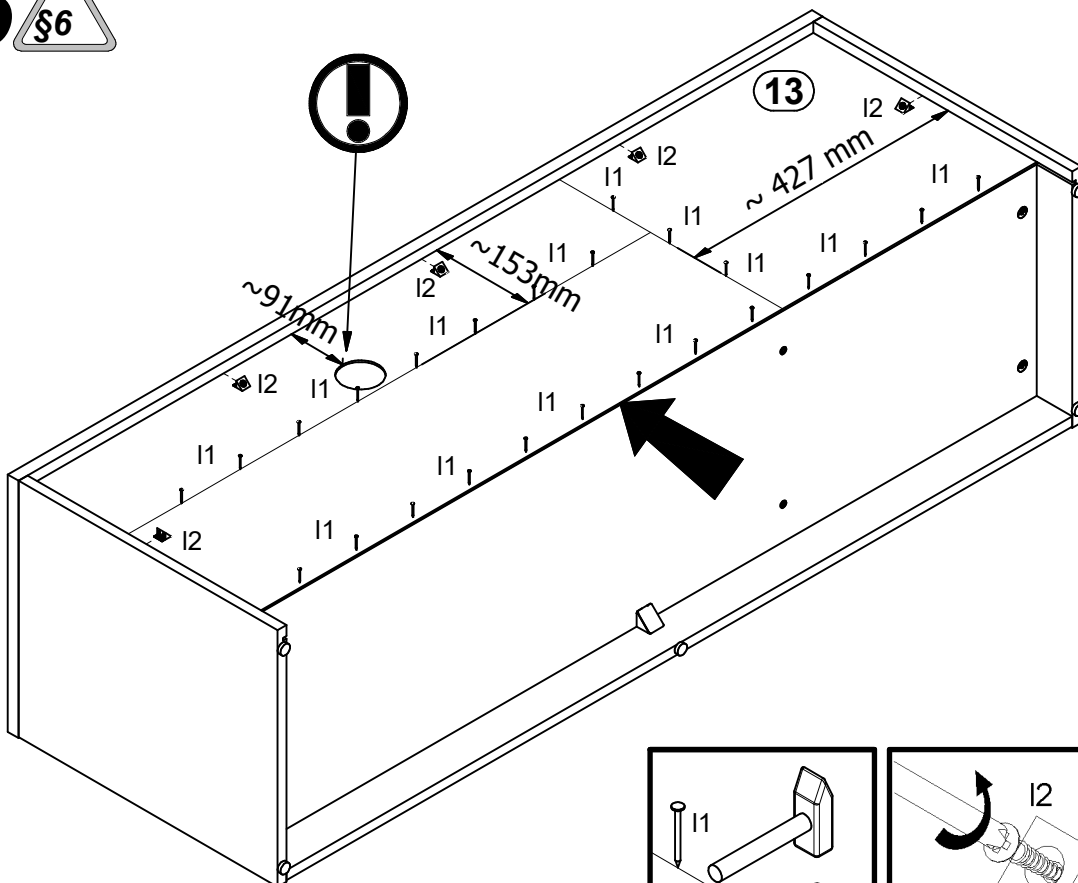
3 §6

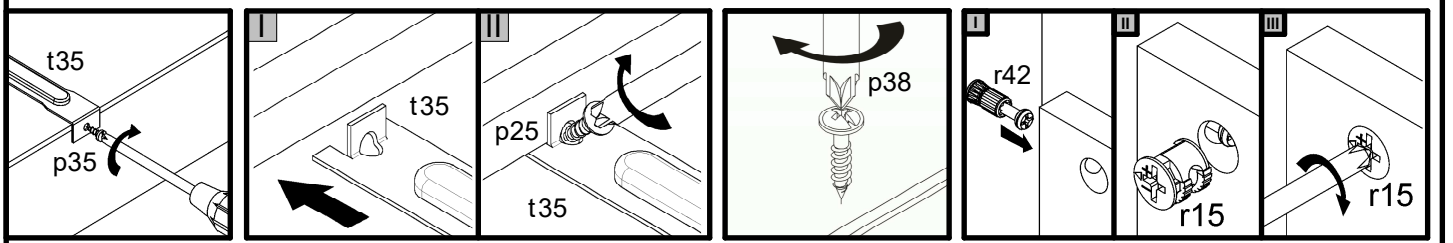
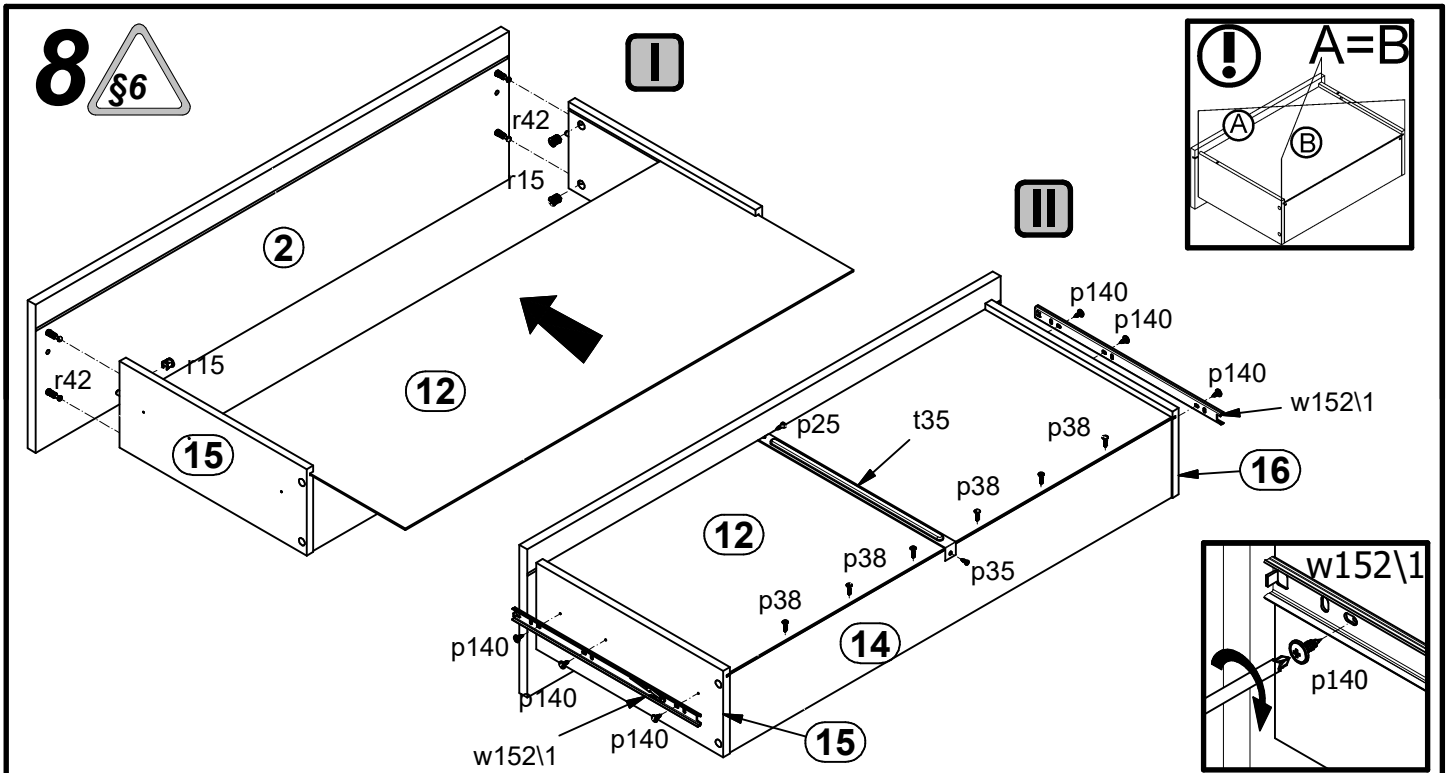
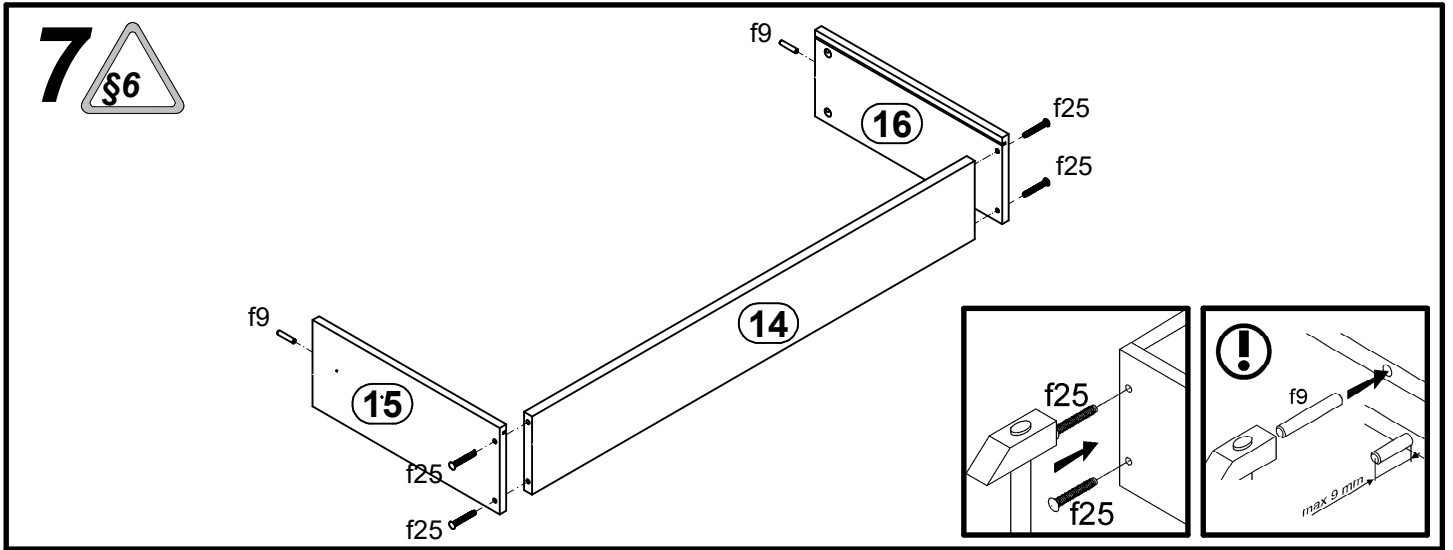
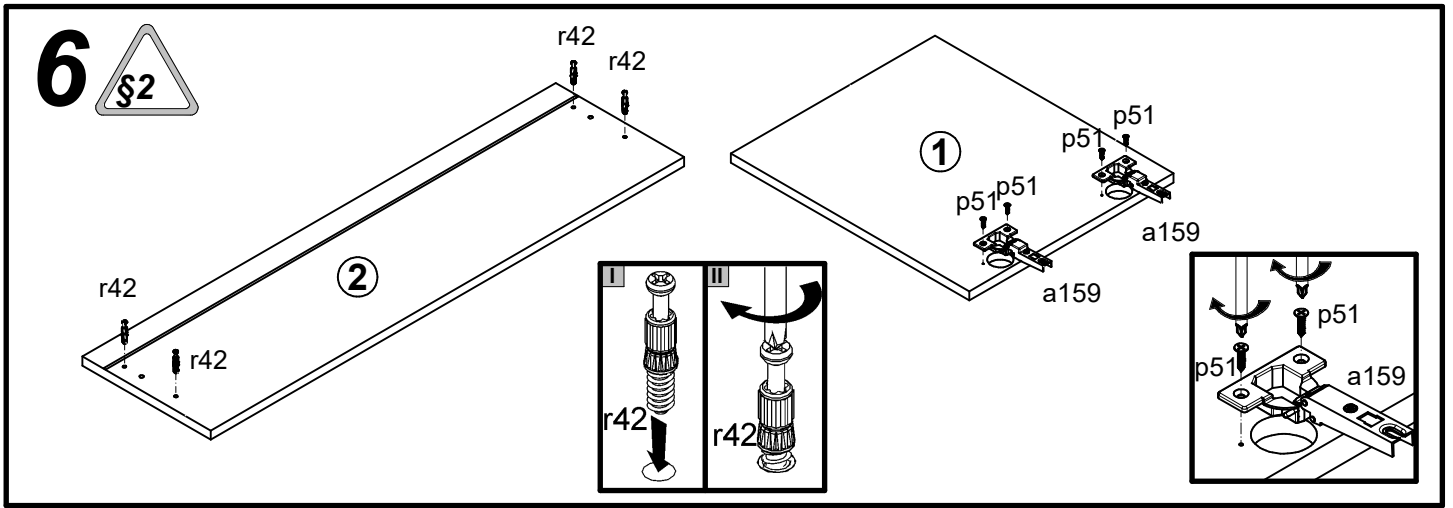


4 §6



5 §6





9 §6

